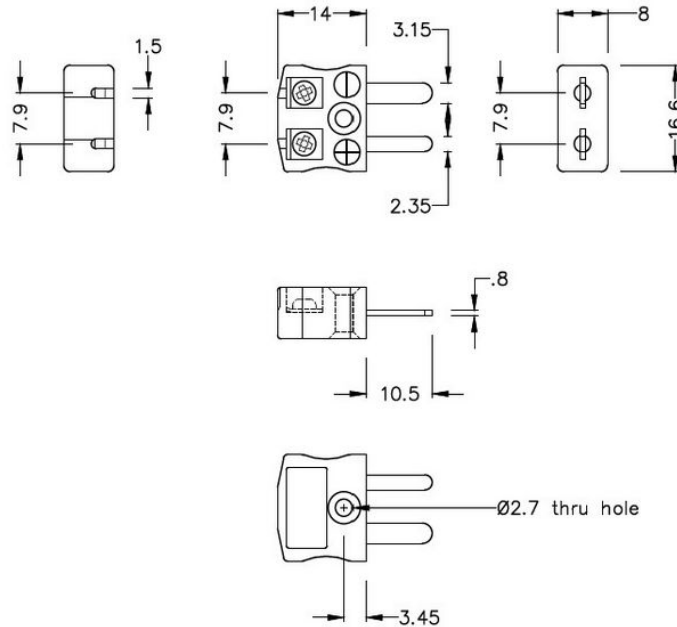
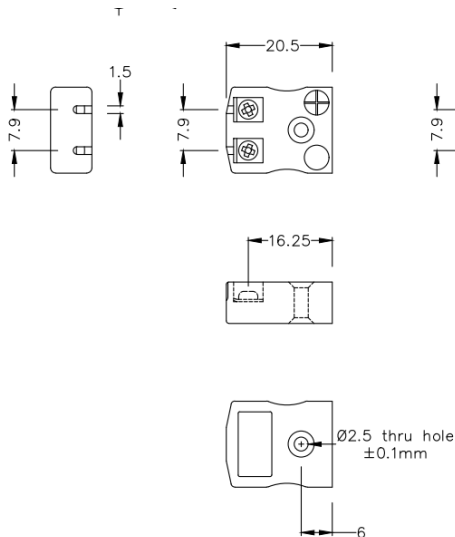


Miniature Quick Wire Connector Thermocouple Plug & Socket IM-K-MQ+FQ Type K IEC



Miniature in-line Plug - Quick Wire
(dimensions in mm)



Miniature in-line Socket - Quick Wire
(dimensions in mm)



Labfacility are the UK's leading manufacturer of Temperature Sensors, Thermocouple Connectors and associated Temperature Instrumentation and stockings of Thermocouple Cables. The Company has been trading since 1971 and is ISO9001 accredited.

Miniature Thermocouple Connector Quick Wire Plug & Socket IM-K-MQ+FQ Type K IEC

Miniature connector with flat plug pins. Easy jab-in connection for rapid termination. Just push-in wire & tighten screw.

Specifications
Specifications

Product Code	XE-1006-001
General Description	Easy jab-in connection for rapid termination
Thermocouple Type	K IEC
Connector Size	Miniature
Connector Type	Quick Wire Plug & Socket
Colour	Green
Max. Temperature	220°C
Pins	Flat Pins
+Positive Contact	Nickel Chromium
-Negative Contact	Nickel Alloy
Standards Met	BS EN 50212:1997. RoHS
Series	Miniature Connector