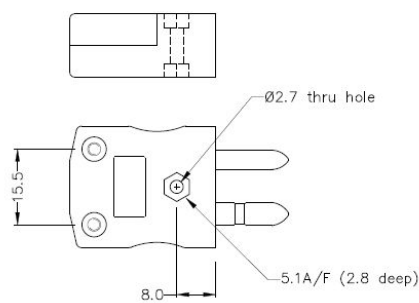
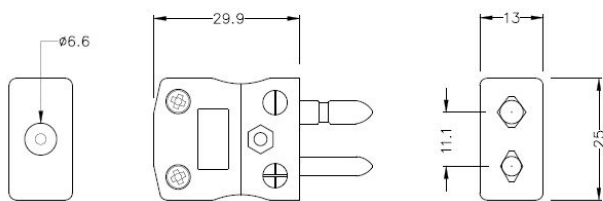
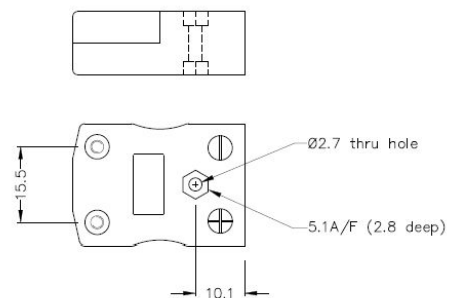
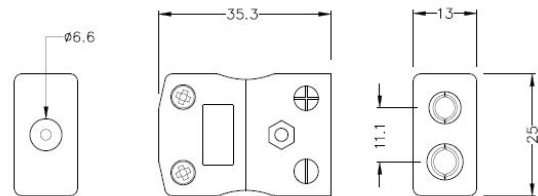


Standard Thermocouple Connector Plug & Socket IS-K-M+F Type K IEC



Standard in-line Plug
(dimensions in mm)



Standard in-line Socket
(dimensions in mm)

[Click here to view product](#)

Product Code	XE-1042-001
General Description	Contacts are polarised to prevent incorrect connection
Thermocouple Type	K IEC
Connector Size	Standard
Connector Type	Plug & Socket
Colour	Green
Max. Temperature	220°C
Pins	Solid Round Pins
+Positive Contact	Nickel Chromium
-Negative Contact	Nickel Alloy

Standards Met	BS EN 50212:1997. RoHS
---------------	------------------------

