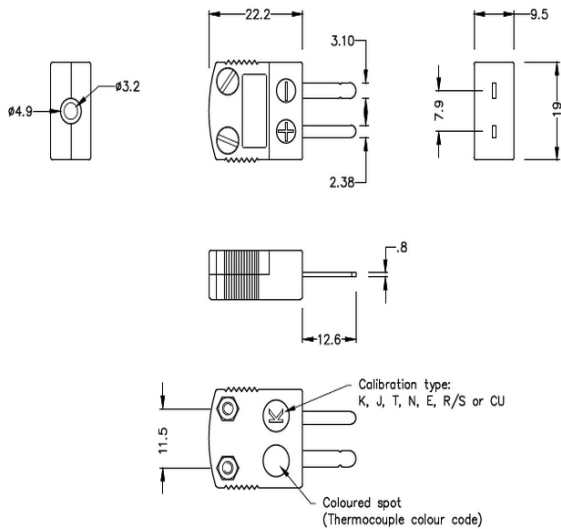


# Miniature High-Temperature (650°C) Ceramic Thermocouple Plug AM-N-M-HTC Type N ANSI



**Miniature Hi-Temp Ceramic in-line Plug - HTC**  
(dimensions in mm)

Labfacility are the UK's leading manufacturer of Temperature Sensors, Thermocouple Connectors and associated Temperature Instrumentation and stockings of Thermocouple Cables. The Company has been trading since 1971 and is ISO9001 accredited.

*Lead time for these items can be around 4 - 5 weeks. You will be contacted by our sales team with more details and delivery update after ordering.*

*Please use the 'Product Enquiry' tab on the right if you require more information before ordering.*

Product code: AM-N-M-HTC

Heavy Duty Ceramic Body for use up to 650°C

All connectors are coloured White with dot colour coding on body.

Can be used with wires up to 0.8mm diameter

For types R, S & B compensating alloys limit the maximum usable temperature to 260°C

## Specifications

<b>Product Code</b>	XE-1283-001
<b>Type</b>	High Temperature
<b>Thermocouple Type</b>	Ceramic
<b>Colour</b>	White
<b>Max. Temperature</b>	650°C (1200°F)
<b>Min. Temperature</b>	-29°C (-20°F)